

Features

- Five PCI Express x1 slots
- PCI Express x16 Graphics slot / SDVO slot
- Two legacy 32-bit PCI slots
- Dual LPC BIOS, single step execution
- LPC Super I/O (enable/disable)
- CF card or Express-Card
- Integrated POST code display
- ATX / AT or Battery Powered

Specifications

Form Factor

Core Module Interface	PICMG® COM Express® Revision 2.0
Dimensions	Supports Type 2 modules in Basic or Compact form factor 305 mm x 244 mm (AT/ATX)
Expansion Busses	Two 32-bit PCI v2.3 slots Five PCI Express x1 slots One PCI Express x16 / SDVO slot LPC bus header

BIOS / Debug

POST LEDs	Onboard diagnostics for BIOS POST code data and address on LPC bus
Secondary BIOS	Allows single step BIOS execution Onboard sockets for secondary LPC & SPI flash

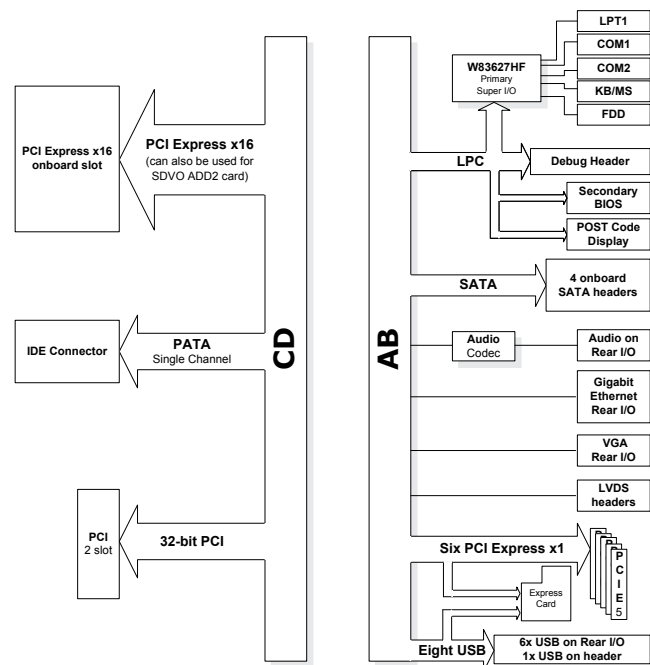
Active Components

Audio	ALC880 High Definition Audio Codec
Super I/O	Winbond WF83627HG on LPC

Connectors

COM Express®	Two x 220-pin (Type 2)
VGA	DB15 on Rear I/O panel for VGA displays
LVDS	Two onboard headers supporting dual channel LVDS
Audio	Mic/Line-in/Speakers on rear I/O panel, Mic/Line-in on header, S/PDIF on header
PATA IDE	One 40-pin header
SATA IDE	Four SATA connectors
ExpressCard	One socket onboard
LAN	10/100/1000BASE-T compatible RJ45 on rear I/O panel
USB 2.0	Four + two on rear I/O panel, two on header and one through Mini Express Card
Serial Port	One DB-9 on rear I/O panel, one header onboard
Parallel Port	One DB-25 on rear I/O panel
FDD	34-pin header
Smart Battery	One header for Smart Battery management communications (connects to ADLINK BattMan board)
KB/Mouse	Two 6-pin mini DIN (on rear I/O panel)
Digital I/O	8-pin header
Feature Connectors	SMBus, I ² C, module control signals, flat panel control signals
Miscellaneous	Reset, Power LED, HDD LED, Buzzer
Power	Standard ATX connector
Switches	Onboard RESET button and ATX mini switch

Functional Diagram



Ordering Information

Carrier

Model Number	Description/Configuration
Express-BASE	COM Express® Reference Carrier Board in ATX form factor

COM Express Carrier Design Guide **COM** + **Express**

Provides detailed information on designing your own custom carrier board for COM Express modules.

Download from the Express-BASE product webpage at www.adlinktech.com