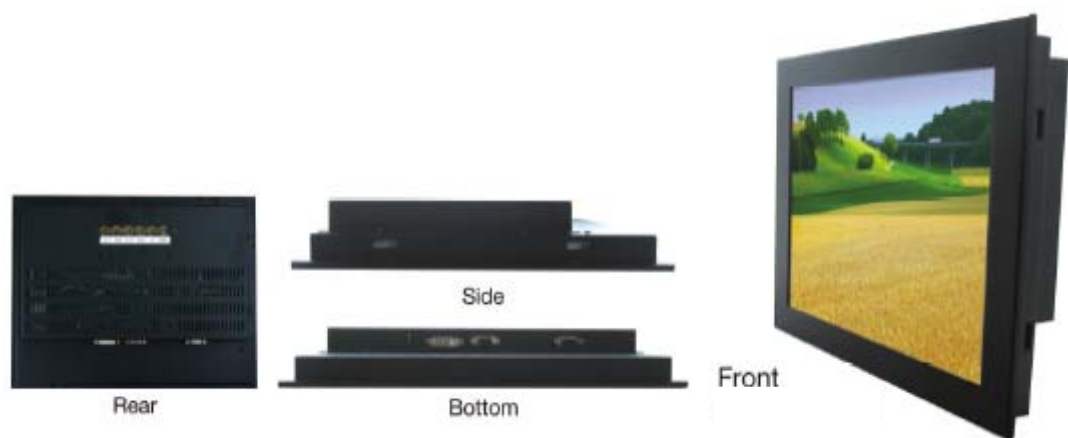


LUX Series



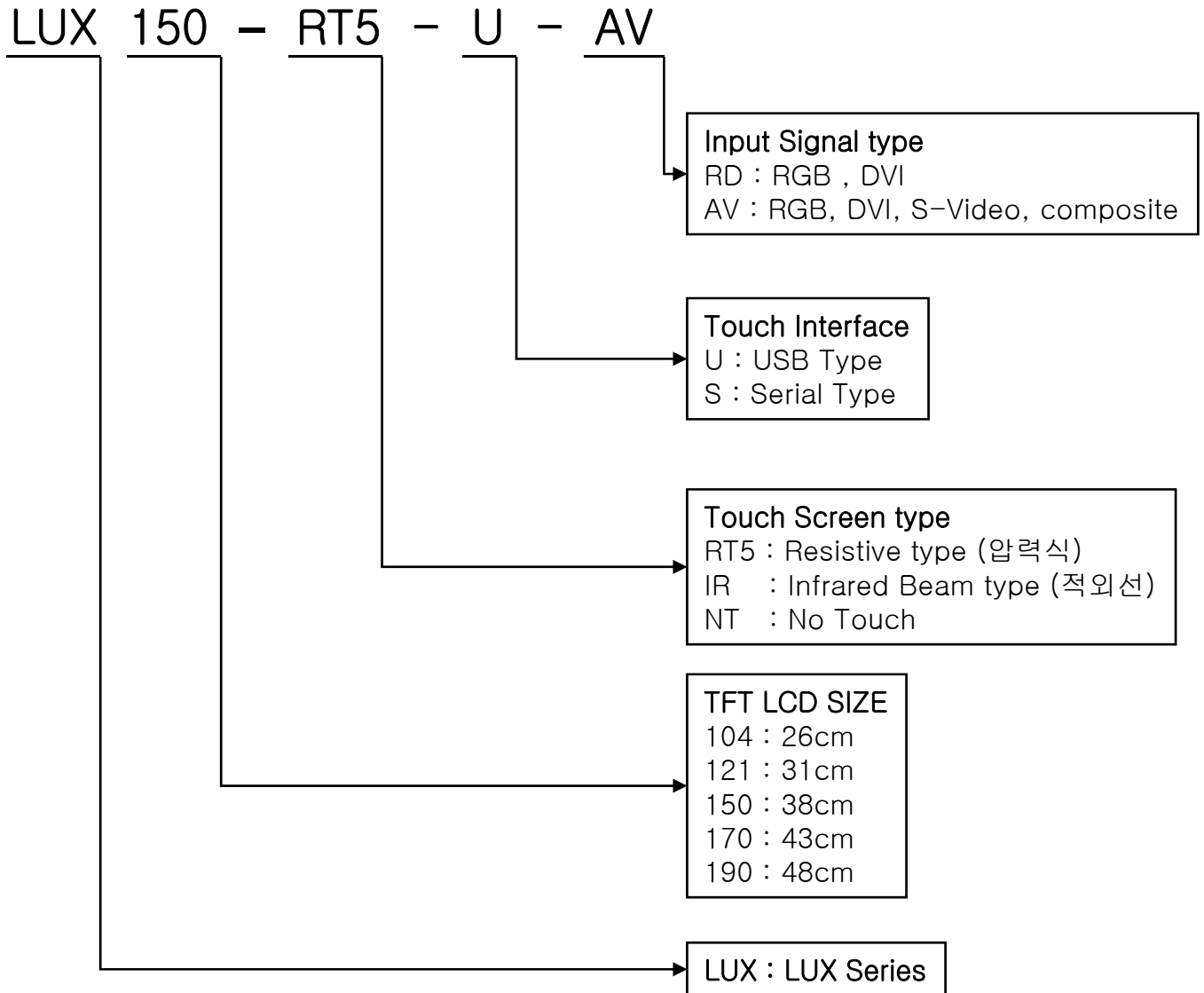
- ★ 26cm(10.4) ~ 48cm(19) TFT-LCD Monitor
- ★ Touch Screen (Resistive/Infraed Beam)
- ★ Optional (S-Video , Composite)
- ★ Front Color : Ivory, Black

Specifications

Model	LUX104	LUX121	LUX150	LUX170	LUX190
Screen size	26cm (10.4)	31cm (12.1)	38cm (15)	43cm (17)	48cm (19)
Max. Resolution	800 x 600 (SVGA)	800 x 600 (SVGA)	1024 x 768 (XGA)	1280 x 1024 (SXGA)	1280 x 1024 (SXGA)
Display Colors	262,144 (6bit)	262,144 (6bit)	16.2M Colors	16.2M Colors	16.2M Colors
Pixel Pitch (mm)	0.264 x 0.264	0.3075 x 0.3075	0.297 x 0.297	0.264 x 0.264	0.294 x 0.294
Brightness	400cd/m ²	400cd/m ²	250cd/m ²	300cd/m ²	300cd/m ²
Contrast Ratio	500 : 1 (typical)	500 : 1 (typical)	500 : 1 (typical)	700 : 1 (typical)	800 : 1 (typical)
Viewing Angle (typical)	60°/60° (L/R) &40°/60° (U/D)	70°/70° (L/R) &60°/50° (U/D)	65°/65° (L/R) &65°/55° (U/D)	75°/75° (L/R) &75°/65° (U/D)	80°/80° (L/R) &80°/80° (U/D)
Display Area (mm)	211.2 x 158.4	246 x 184.5	304.1 x 228.1	337.92 x 270.336	376.32 x 301.06
H Frequency	31.5 ~79.9 KHz	31.5 ~79.9 KHz	31.5 ~79.9 KHz	31.5 ~79.9 KHz	31.5 ~79.9 KHz
V Frequency	56.2 ~ 75Hz	56.2 ~ 75Hz	56.2 ~ 75Hz	56.2 ~ 75Hz	56.2 ~ 75Hz
Response time	35 ms	35 ms	12 ms	6 ms	5 ms
Plug & Play	VESA DDC 1/2b	VESA DDC 1/2b	VESA DDC 1/2b	VESA DDC 1/2b	VESA DDC 1/2b
AC Adapter Input	AC 100V~240V, 50~60 Hz	AC 100V~240V, 50~60 Hz	AC 100V~240V, 50~60 Hz	AC 100V~240V, 50~60 Hz	AC 100V~240V, 50~60 Hz
AC Adapter Output	12V DC 4A	12V DC 4A	12V DC 4A	12V DC 4A	12V DC 4A
Power consumption	50W(on), < 5W(Stand by, Sleep)	50W(on), < 5W(Stand by, Sleep)	50W(on), < 5W(Stand by, Sleep)	50W(on), < 5W(Stand by, Sleep)	50W(on), < 5W(Stand by, Sleep)
VESA ARM	75 x 75 mm	75 x 75 mm	100 x 100 mm	100 x 100 mm	100 x 100 mm
Dimension (mm)					
Mounting hole (mm)	256 x 199	288 x 227	348 x 272	384.6 x 316.6	419.6 x 344.6

Design & Specifications subject to change without notice

Ordering Information



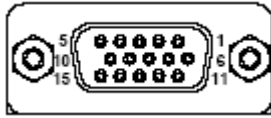
Ex)

LUX150-RT5U-RD

: 38cm(15) USB 압력식 터치모니터

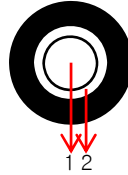
RGB, DVI 입력신호

15pin (D-sub)



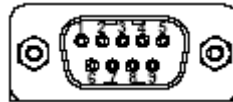
1	Red
2	Green
3	Blue
4	N.C
5	GND
6	R-GND
7	G-GND
8	B-GND
9	5Vin
10	S-GND
11	N.C
12	SDA
13	H-SYNC
14	V-SYNC
15	SCL

Adapter



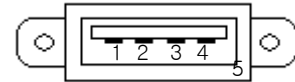
1	+12V DC
2	GND

Serial



1	-
2	RXD (Receive Data)
3	TXD (Transmit Data)
4	-
5	GND
6	-
7	-
8	-
9	-

USB A type



1	+5V DC Input Power
2	D-
3	D+
4	GND
5	GND