



WF-2572M

Ethernet to Wi-Fi Bridge

Features

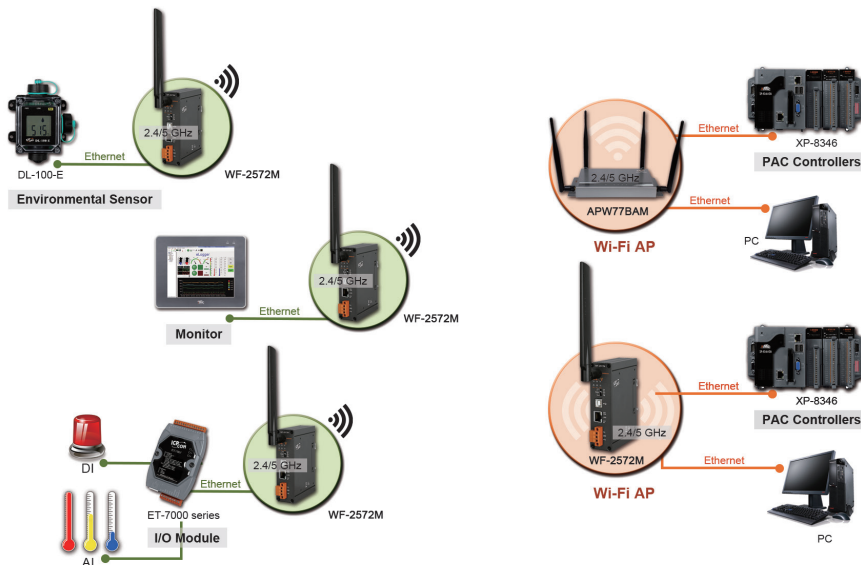
- Ethernet to Wi-Fi Bridge
- Full compatible with IEEE 802.11 a/b/g
- Support WPA-PSK, WPA2-PSK for Wi-Fi encryption
- Plug-and-Play Ethernet to Wi-Fi connectivity
- USB base configuration
- No driver installation required
- Built-in Watchdog
- Metal Case
- Operating temperatures, -25 °C ~ +75 °C



Introduction

The WF-2572M is an industrial Ethernet to Wi-Fi Bridge. The device only needs to connect the Ethernet cable with WF-2572M that can create an IEEE 802.11 a/b/g wireless personal network. The interface between Ethernet and Wi-Fi use transparent transmission so that it can convert Wi-Fi to wire internet without complex settings. The WF-2572M also supports dual bands (2.4/5 GHz). The 2.4 GHz is more crowded than 5 GHz. Therefore, the devices on 2.4 GHz suffer much more interference than the ones on 5 GHz. The WF-2572M has less interference on 5 GHz

Applications

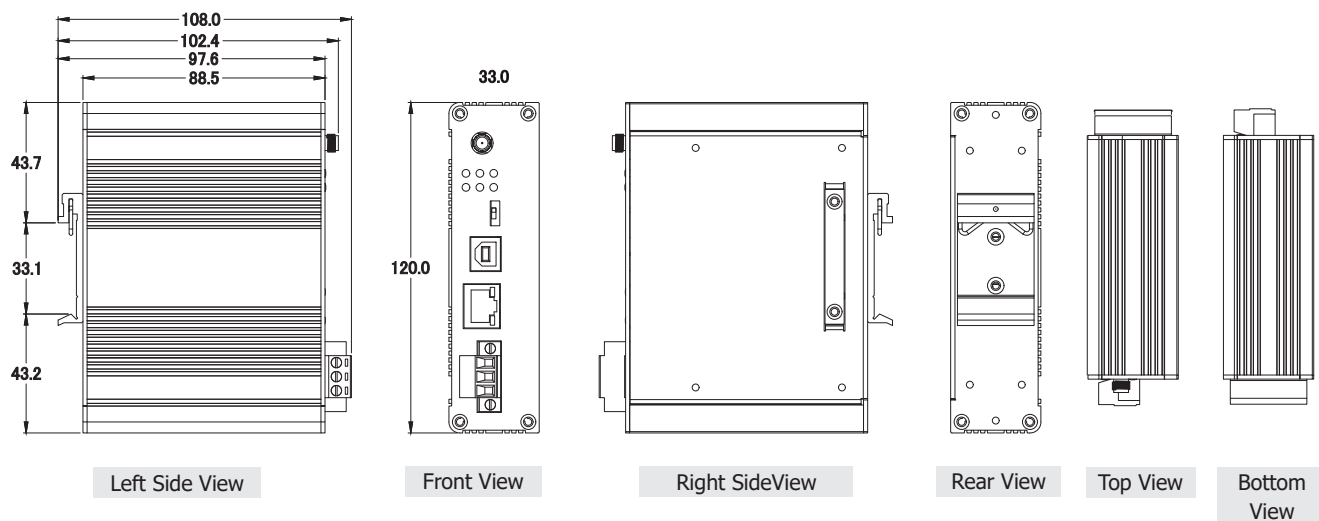


System Specifications

Model	WF-2572M
RF Specification	
Wireless Standard	IEEE 802.11 a/b/g/n
Frequency	2.4 GHz: CH1~11 5 GHz: CH36/40/44/48
Operation Mode	Limit-AP/Infrastructure
Encryption	Open/WPA/WPA2
Antenna	Omni-Directional 3 dBi @ 2.4 GHz 5.5 dBi @ 5 GHz
Ethernet	
Controller	100Base-TX Ethernet Controller (Auto-MDIX)
Connector	RJ-45 with LED indicator
USB Interface	
Type	USB 2.0 Full-Speed with USB type B connector

Model	WF-2572M
Power	
PInput Voltage Range	10 ~ 30VDC
Power Consumption	1.6 W
Mechanical	
Casing	Metal
Dimensions (W x L x H)	33 mm x 95 mm x 120 mm
Environment	
Operating Temperature	-25 ~ +75°C
Storage Temperature	-30 ~ +80°C
Humidity	10 ~ 95% RH, Non-condensing





■ Dimensions (Units: mm)



■ Ordering Information

WF-2572M CR	Ethernet to Wi-Fi Bridge with Metal Case(RoHS)
--------------------	--

■ Accessories

3S001-1		RG58A/U 1 Meter Long RP-SMA male to RP-SMA Female
3S003-1		RG58A/U 3 Meter Long RP-SMA male to RP-SMA Female
3S005-1		RG58A/U 5 Meter Long RP-SMA male to RP-SMA Female
3S008-1		RG58A/U 8 Meter Long RP-SMA male to RP-SMA Female